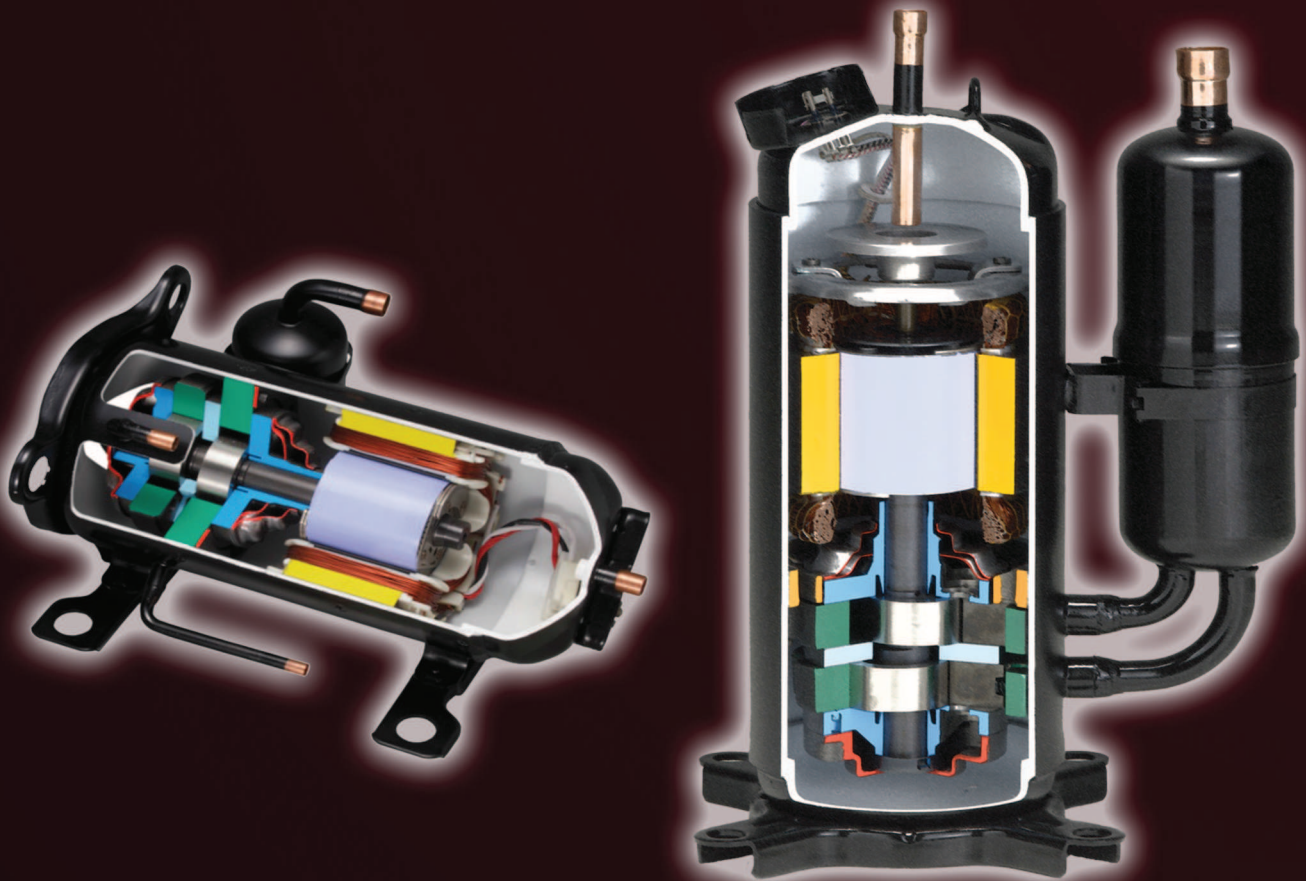


TOSHIBA

COMPRESSOR OPERATIONS DIV.

ROTARY COMPRESSOR CATALOG



C.R.C.

Via Selva di Pescarola 12/9
40131 Bologna - ITALY - www.crc-srl.net

TOSHIBA ROTARY COMPRESSOR

Single Rotary Compressor



N1 Series



F0 Series

Twin Rotary Compressor



A1 Series



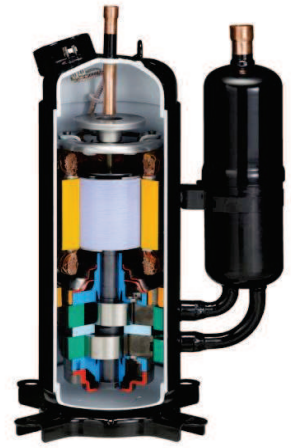
P2 Series



A2 Series



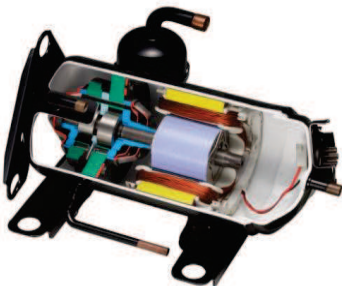
A3 Series



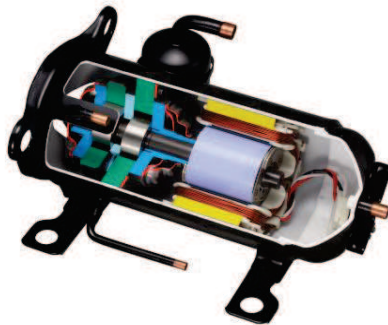
A4 Series

Twin Rotary Compressor for Low Temperature Applications

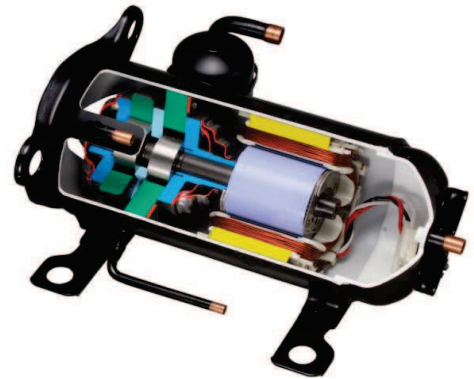
Vertical A1, A2, A3 Series are also Lined-up.



Horizontal - A1 Series



Horizontal - A2 Series



Horizontal - A3 Series

Toshiba Rotary Compressor - High Temperature Application Models

Series	Displ. [cm ³]	Pole	Refrigerant	Cooling Capacity [kW]																
				2.2	2.5	2.8	3.6	4.0	5.0	6.3	7.1	8.0	11.2	14.0	16.0	22.0	28.0	34.0	39.0	45.0
				3HP 4HP 5HP 6HP 8HP 10HP 12HP 14HP 16HP																
N1	4.5	4	R-744	CO2																
F0	6.6	6	R-32	■																
	7.5	4	R-410A	■																
	8.9	6	R-32	■																
A1	11.1	4	R-410A	■																
			R-32	■																
	12.8	4	R-410A	■																
	13.1	4	R-410A	■																
	13.6	4	R-410A	■																
			R-32	■																
15.0	4	R-410A	■																	
P2	17.5	4	R-410A	■																
A2	22	4	R-410A	■																
			R-32	■																
	27	4	R-410A	■																
	33	4	R-410A	■																
A3	38	4	R-32	■																
	42	4	R-410A	■																
	55	4	R-410A	■																
	64	4	R-410A	■																
A4	65	4	R-410A	■																
	79	4	R-410A	■																

Toshiba Rotary Compressor - Low & Medium Temperature Application Models

Series	Displ. [cm ³]	Motor	Refrigerant	Cooling Capacity [kW]													
				0.5	1.0	1.5	2.0	2.5	3.0	3.5	4.0	4.5	5.0	5.5	6.0	6.5	
Vertical A1	13.1	Fixed Speed(3φ)	R-404A														
		BLDC	R-404A														
Vertical A2	17	Fixed Speed(3φ)	R-404A														
	22	BLDC	R-404A														
Vertical A3	42	BLDC	R-404A														
	55	BLDC	R-404A														

Series	Displ. [cm ³]	Motor	Refrigerant	Cooling Capacity [kW]													
				0.5	1.0	1.5	2.0	2.5	3.0	3.5	4.0	4.5	5.0	5.5	6.0	7.0	
Horizontal A1	9.1	Fixed Speed(3φ)	R-404A														
		BLDC	R-410A														
	13.1	Fixed Speed(3φ)	R-404A														
		BLDC	R-404A														
		BLDC	R-410A														
Horizontal A2	22	Fixed Speed(3φ)	R-404A														
		BLDC	R-404A														
		BLDC	R-410A														
Horizontal A3	33	Fixed Speed(3φ)	R-404A														
		BLDC	R-410A														
	42	Fixed Speed(3φ)	R-404A														
		BLDC	R-404A														
		BLDC	R-410A														

※The cooling capacity range is assumed under the condition with condensing temperature at 45 °C and evaporating temperature at -23.3°C.

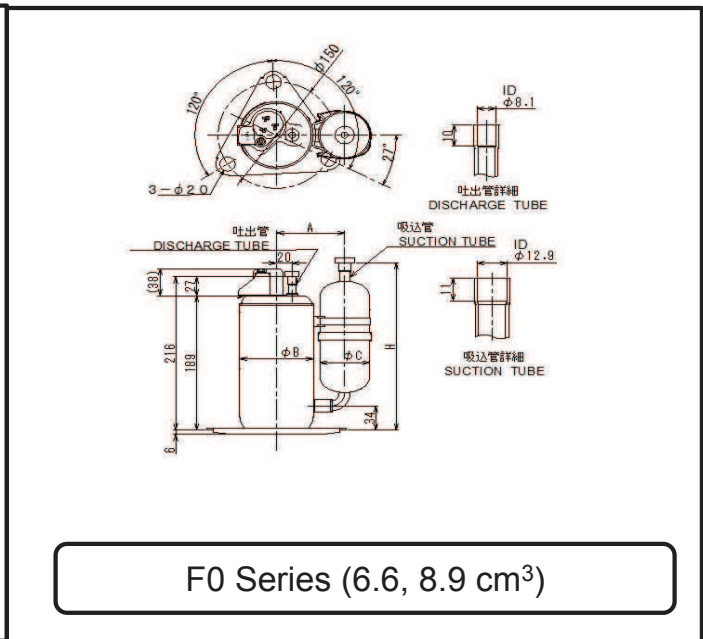
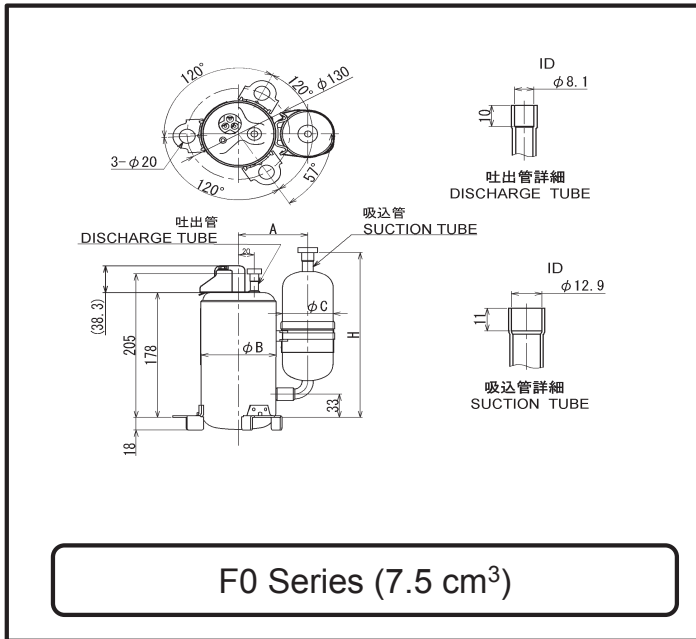
- Fixed speed type : 1st side power frequency at 50/60Hz.
- Variable speed type (BLDC) : Min.~Max. RPS.

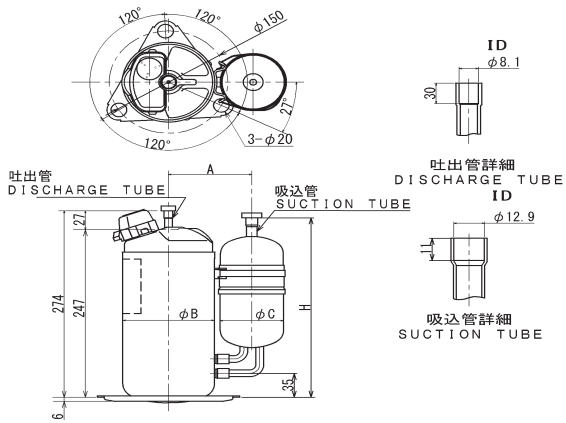
F0, A1, P2 Series (Small Capacity Compressor) for High Temperature Applications

A: Discharge/Suction Pipe Pitch
 B: Main Case Diameter
 C: Accumulator Diameter
 H: Base to Suction Pipe Height

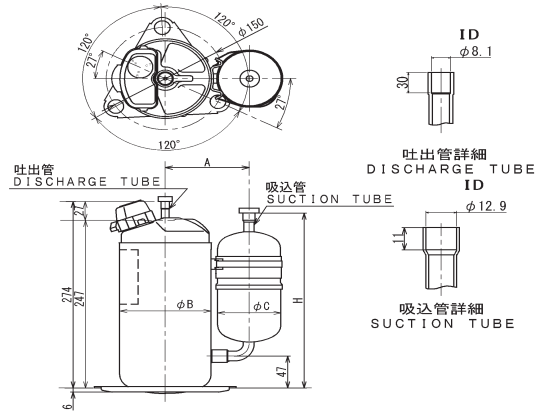
Series	Structure	Refrigerant	Displ. cm ³	Main Model	Mfg. Site		Voltage V	Capacity W	Rotation Speed s ⁻¹	Accum. Vol. ml	A mm	B mm	C mm	H mm	
					Japan	Thai									
F0	Single	R-32	6.6	NX66F0	☆	-	200	2,100	(12~120)	400	88	95	64	236	
		R-410A	7.5	DA75F0	☆	-		2,180	16~100	400	88	95	64	235	
		R-32	8.9	NX89F0	☆	-		2,840	(12~120)	400	88	95	64	236	
A1	Twin	R-410A	11.1	DA111A1	☆	-		3,300	9~120	650	108	116	80	263	
		R-32		DX111A1	☆	☆		3,530	9~130	650					
		R-410A	12.8	DA128A1	☆	-		3,830	9~120	650	108	116	80	257	
		☆			-	750				284					
		R-410A	13.1	DA130A1	☆	-		3,960	9~120	650	108	116	80	263	
		☆			-	750				289					
		R-410A	13.6	DA136A1	-	☆		4,100	9~140	650	108	116	80	263	
		R-32		DX136A1	☆	☆				4,400					9~140
								-	☆	4,470	9~120	650	108	116	80
							☆	-	750						
P2	Twin	R-410A	17.5	DA175P2 ⁽¹⁾	☆	-	400	12,200	30~135	1,000	108	116	80	320	

Measurement Conditions Condensing Temp.: 42.3°C, Evaporating Temp.: 2.8°C, Suction Gas Temp.: 12.8°C, Rotation Speed: 60 s⁻¹
 DA175P2⁽¹⁾ - Condensing Temp.: 54.4°C, Evaporating Temp.: 7.2°C, Suction Gas Temp.: 18.3°C, Rotation Speed: 120 s⁻¹

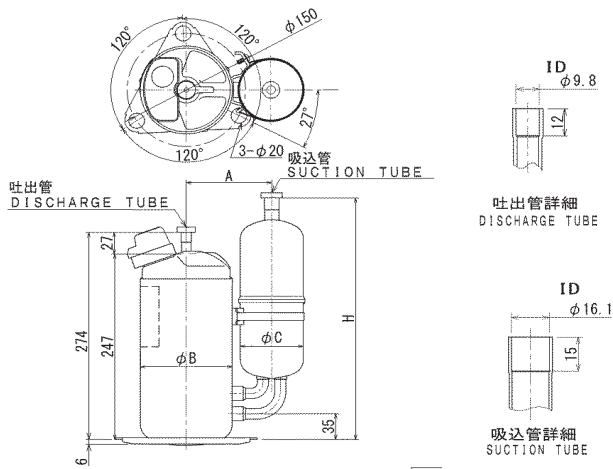




A1 Series (11.1, 13.1, 13.6, 15 cm³)



A1 Series (12.8 cm³)



P2 Series (17.5 cm³)

A2, A3, A4 Series (Med. to Large Capacity Compressor) for High Temperature Applications

A: Discharge/Suction Pipe Pitch

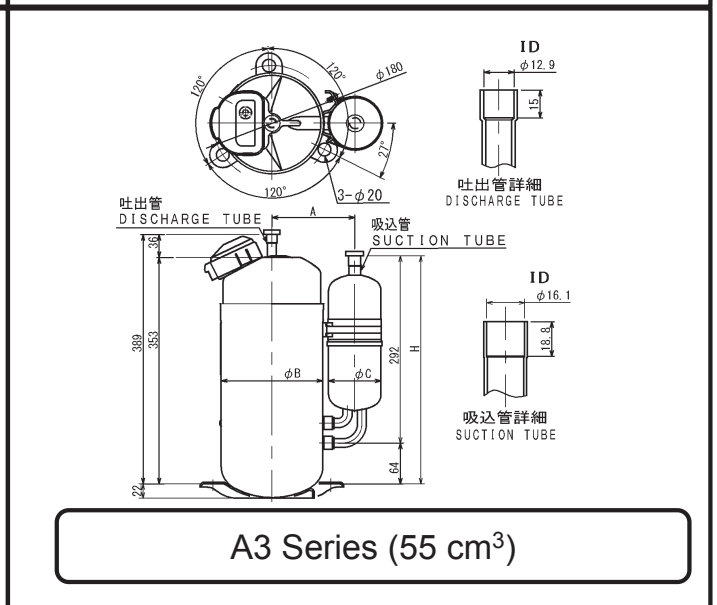
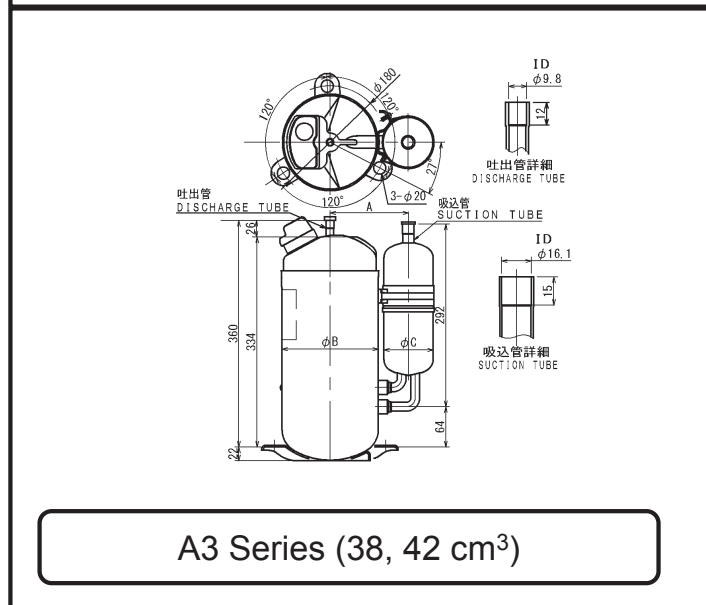
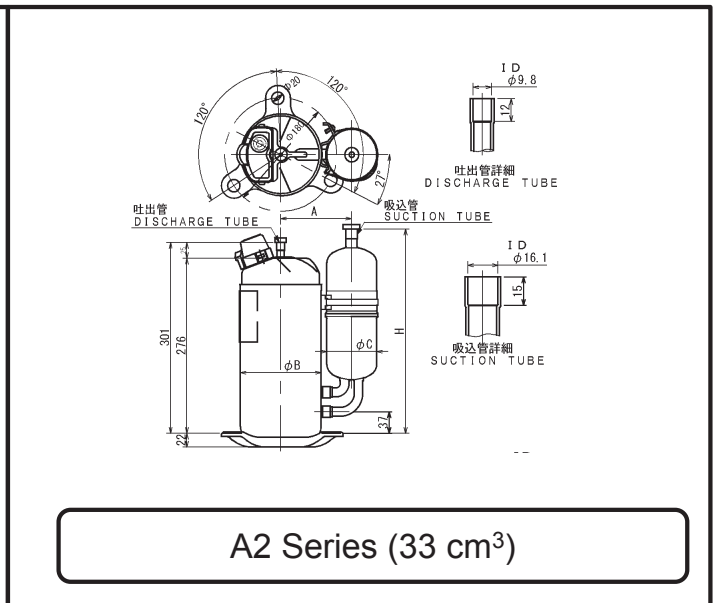
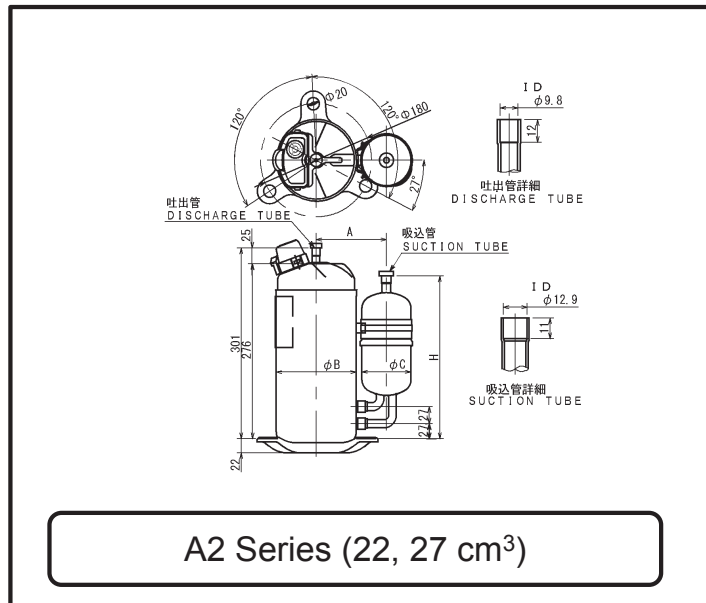
B: Main Case Diameter

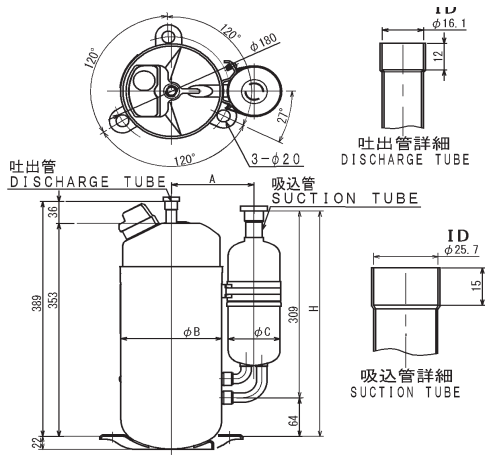
C: Accumulator Diameter

H: Base to Suction Pipe Height

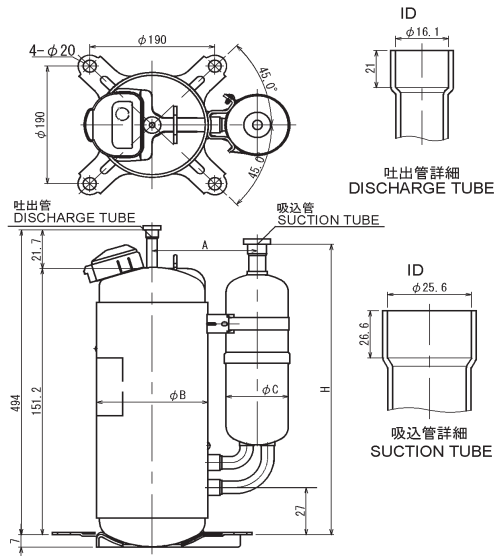
Series	Structure	Refrigerant	Displ. cm ³	Main Model	Mfg. Site		Voltage V	Capacity W	Rotation Speed s ⁻¹	Accum. Vol. ml	A mm	B mm	C mm	H mm
					Japan	Thai								
A2	Twin	R-410A	22	DA220A2	☆	☆	200	7,100	16~100	650	114	130	80	261
		R-32		DX220A2	☆	-		7,400	10~120	650				
		R-410A	27	DA270A2	☆	☆		8,700	12~120	650				
				DA330A2	☆	☆		10,500	10~120	1,000				
A3	Twin	R-32	38	DX380A3	☆	-	200	13,200	10~120	1,000	127	156	80	356
		R-410A	42	DA422A3	☆	☆	200	13,650	10~120	1,000				
					☆	☆	400	13,650	10~120	1,000				
		R-410A	55	DA550A3	☆	-	200	18,380	15~100	1,000				
					☆	-	400	18,380	15~100	1,000				
R-410A	64	DA640A3	☆	-	400	21,400	15~120	1,000	373					
A4	Twin	R-410A	65	DA651A4	☆	-	200	21,500	15~120	1,600	160	170	95	471
			79	DA790A4	☆	-	200	26,300	15~120	1,600				
					☆	-	400	26,300	15~120	1,600				

Measurement Conditions Condensing Temp.: 54.4°C, Evaporating Temp.: 7.2°C, Suction Gas Temp.: 18.3°C, Rotation Speed: 60 s⁻¹





A3 Series (64 cm³)



A4 Series (65, 79 cm³)

Attention: The outline drawing of A2 series between Japan version and Thai version is different.
If you need details for this, please contact our sales department.

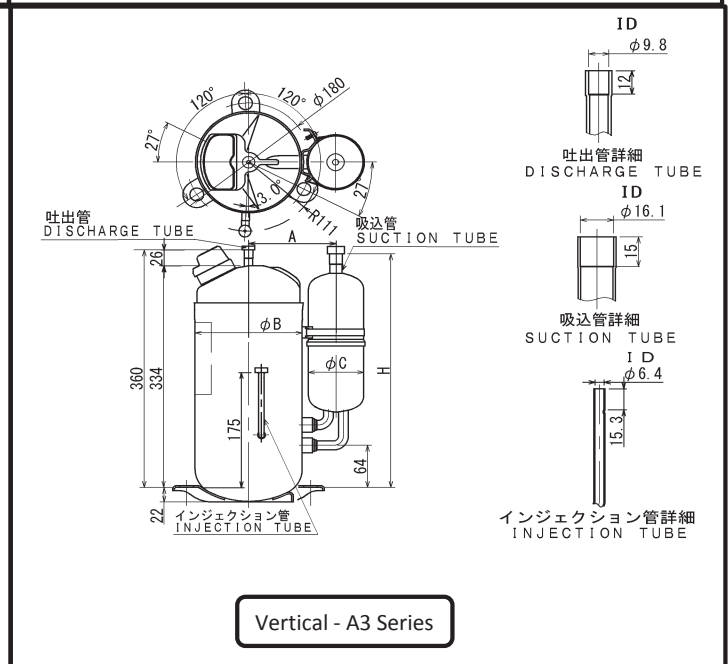
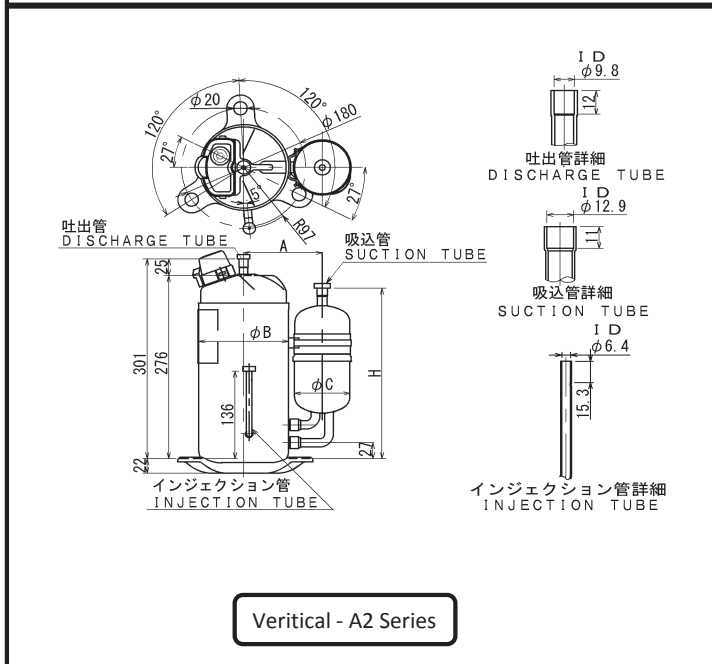
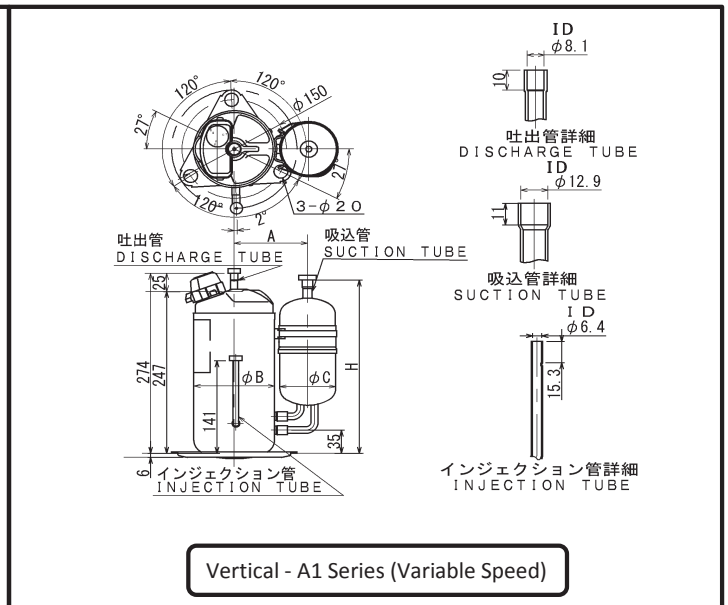
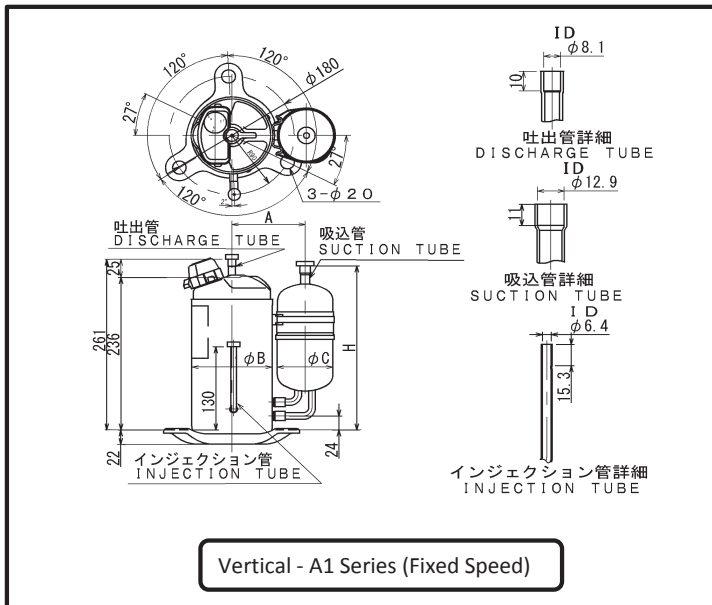
Vertical Type for Low and Medium Temperature Applications

A: Discharge/Suction Pipe Pitch
 B: Main Case Diameter
 C: Accumulator Diameter
 H: Base to Suction Pipe Height

All made in Japan.

Series	Refrigerant	Displ. cm ³	Main Model	Motor	Capacity	Rotation Speed	Accum Vol.	A	B	C	H
					W	s ⁻¹	ml	mm	mm	mm	mm
A1	R-404A	13.1	TS130A1FJ	Fixed Speed(3φ)	880/1060	-	650	108	116	80	252
			DS130A1FJ	BLDC	1,120	30~90	650				263
A2	R-404A	17	TS170A2FJ	Fixed Speed(3φ)	1,160/1,390	-	650	114	130	80	261
	R-404A	22	DS220A2FJ	BLDC	1,840	30~90	650				
A3	R-404A	42	DS422A3FJ	BLDC	3,810	30~80	1000	127	160	80	356
	R-404A	55	DS550A3FJ	BLDC	4,950	30~80	1000				

Measurement Conditions Condensing Temp.: 45°C, Evaporating Temp.: -23.3°C, Suction Gas Temp.: 32.2°C
 BLDC: Rotation Speed at 60 s⁻¹ Fixed Speed: 1st Side Power Frequency at 50/60Hz



Horizontal Type for Low and Medium Temperature Applications

A: Discharge/Suction Pipe Pitch

B: Main Case Diameter

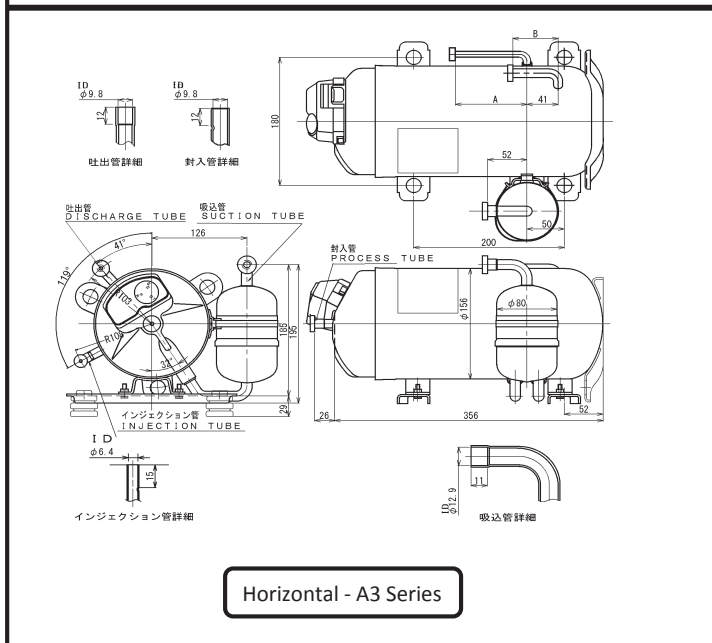
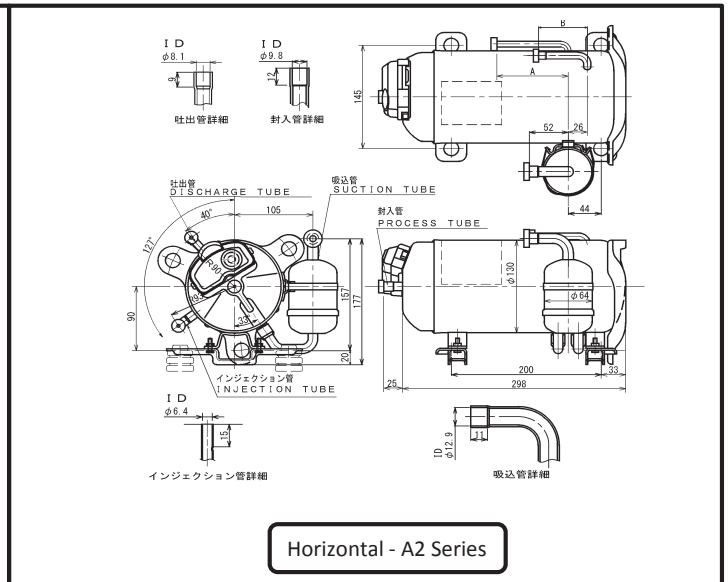
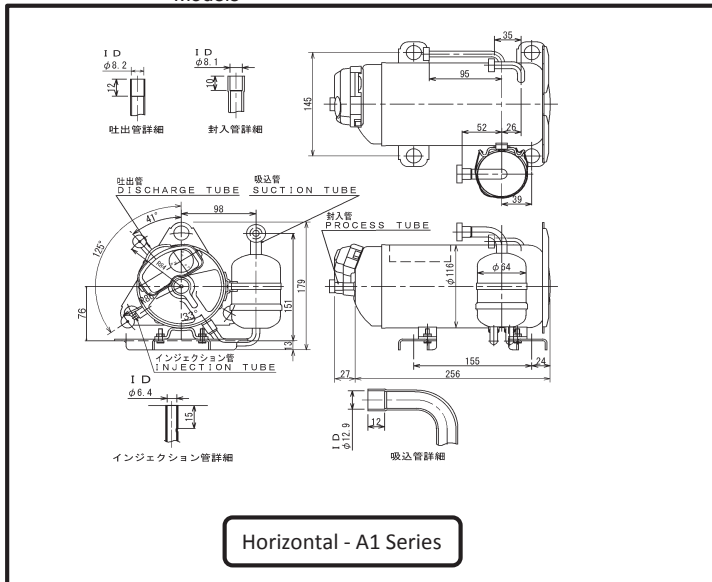
All made in Japan.

Series	Refrigerant	Displ. cm ³	Main Model	Motor	Capacity	Rotation Speed	Accum Vol. ml	A	B
					W	s ⁻¹		mm	mm
A1	R-404A	9.1	CS91A1FJH ⁽¹⁾	Fixed Speed(3φ)	590/730	-	270	35	45
			TS91A1FJH ⁽¹⁾	Fixed Speed(3φ)	575/715	-		65	95
	R-410A	DA91A1FJH	BLDC	900	15~90	270	35	45	
	R-404A	11.3	TS113A1FJH ⁽¹⁾	Fixed Speed(3φ)	730/890	-	270	35	45
			DS130A1FJH	BLDC	1,120	15~90		65	95
	R-410A	13.1	DA130A1FJH	BLDC	1,400	15~90	270	35	45
TS220A2FJH ⁽¹⁾			Fixed Speed(3φ)	1,530/1,820	-	270	35	45	
A2	R-404A	22	DS220A2FJH	BLDC	1,960		10~70	270	35
			DA220A2FJH	BLDC	2,380	15~90	65		95
A3	R-404A	33	TS330A3FJH ⁽¹⁾	Fixed Speed(3φ)	2,250/2,730	-	540	45	60
			DA330A3FJH	BLDC	3,490	15~80		95	60
	R-410A	42	TS420A3FJH ⁽¹⁾	Fixed Speed(3φ)	2,940/3,580	-	540	45	60
			DS420A3FJH	BLDC	3,730	15~60		95	60
	R-404A	42	DA420A3FJH	BLDC	4,530	15~80	540	45	60
			DA420A3FJH	BLDC	4,530	15~80	540	95	60

Measurement Conditions (R-404A Model) Condensing Temp.: 45°C, Evaporating Temp.: -23.3°C, Suction Gas Temp.: 32.2°C

BLDC: Rotation Speed at 60 s⁻¹ Fixed Speed: 1st Side Power Frequency at 50/60Hz

(R-410A Model) Condensing Temp.: 45°C, Evaporation Temp.: -23.3°C, Suction Gas Temp.: 18.0°C, Rotation Speed: 60 s⁻¹ Models⁽¹⁾. For both R-404A and R-407C.



Electric Offerings

Horizontal Model

R-404A	Displacement(cm ³)									
	Voltage	9.1	11	13	17	22	27	33	42	55
1φ-100V	○	-	-	-	-	-	-	-	-	-
3φ-200V	○	○	○	-	○	-	○	○	○	-
BLDC(200V)	-	-	○	-	○	-	-	-	○	-

R-410A	Displacement(cm ³)									
	Voltage	9.1	11	13	17	22	27	33	42	55
1φ-100V	-	-	-	-	-	-	-	-	-	-
3φ-200V	-	-	●	-	●	-	●	●	-	-
BLDC(200V)	○	-	○	-	○	-	○	○	○	-

Vertical Model

R-404A	Displacement(cm ³)									
	Voltage	9.1	11	13	17	22	27	33	42	55
1φ-100V	-	-	-	-	-	-	-	-	-	-
3φ-200V	-	-	○	○	-	●	●	●	-	-
3φ-400V	-	-	-	-	-	-	-	●	-	-
BLDC(200V)	-	-	○	-	○	-	-	-	○	○

○ In Mass Production, ● Under Development Plan

C.R.C.

European sales agency and distribution
Via Selva di Pescarola 12/9 - 40131 Bologna - ITALY
+39-051-6346200
www.crc-srl.net